

Description and application

Cantilevered damper GU is used to regulate the flow of air in the ventilation grilles in the medium and low-pressure ventilation installation. The damper is adjustable manually, using a flat screwdriver. Especially it is recommended for installation on spiral channels.

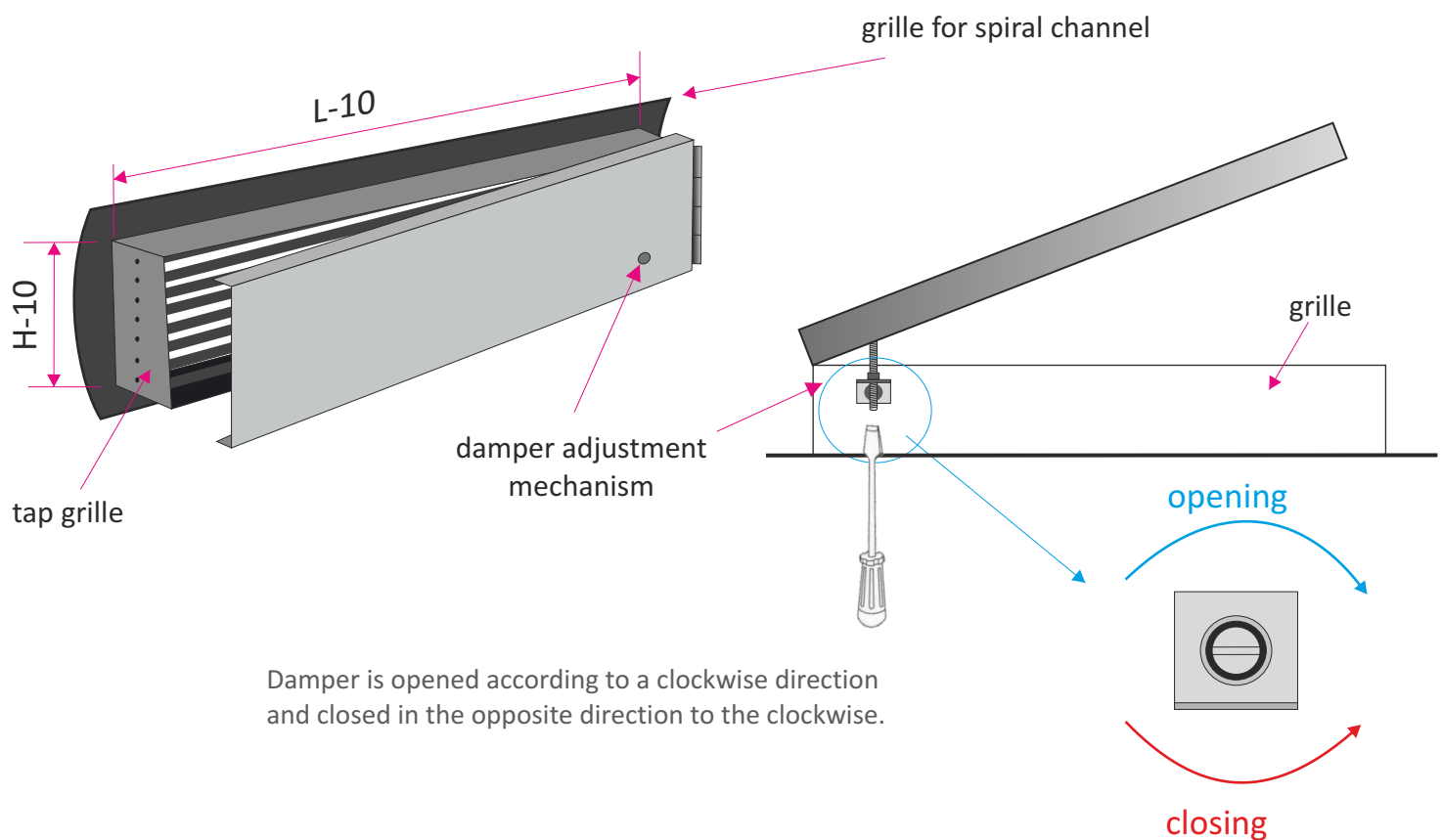
Damper has Hygienic Certificate HK/K/0522/03/2016

Material and workmanship

The damper is made of galvanized steel. On request it is possible to make from aluminum and stainless steel (type 1.4301 or 1.4404).

Size

The dampers are manufactured to order. The dimensions of dampers are chosen according to the size of the elements on which they are mounted.



The method of placing an order

Please make orders according to the following formula:

GU / 'LxH' / 'RAL' / 'M'

'LxH'	- mounting hole size (width x height) in mm
'RAL'	- damper color according to RAL palette (standard no color*)
'M'	- material:
	OC - galvanized steel*
	AL - aluminum
	KO - stainless steel / acid proof steel (type 1.4301 or 1.4404)

* - If you don't give the information will be used standard parameters.