

Description and application

Nozzle diffuser on the square panel NWK-5k is used for ventilation and air conditioning industrial and public buildings with a height of 2.5 m - 4.5 m, such as offices, hotels, cinemas, conference rooms, supermarkets. They are characterized by easy assembly in suspended ceilings, plenum boxes or directly on rectangular ducts. Assembly is done using visible screws in the corners of the faceplate or invisible latch on RM frame. By appropriate location of the nozzle in the faceplate we get different directions supplied air or the rotational motion.

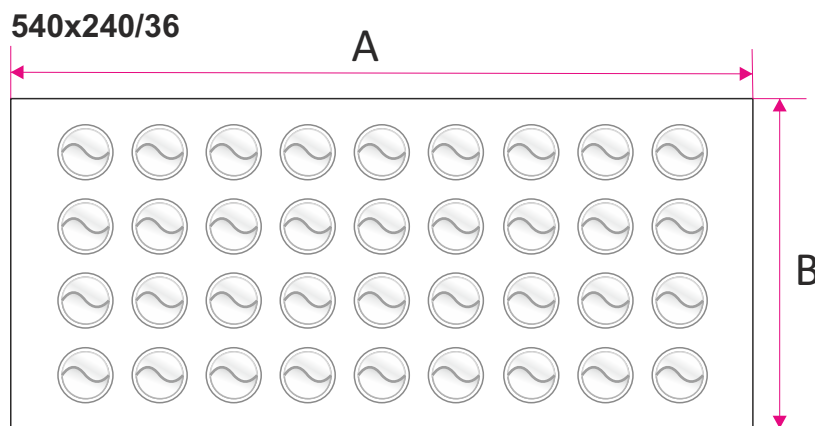
Nozzle diffuser has Hygienic Certificate HK/K/0522/01/2016

Material and workmanship

Diffusers are made up of faceplate galvanized sheet steel powder coated white RAL 9016 and specially profiled nozzles made of plastic in white. Upon customer request we can paint faceplate in any color from RAL palette and made of special stainless steel or aluminum.

Size

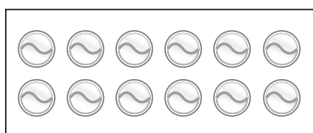
The diffusers are manufactured on order. Examples dimensions of the diffusers are given in the table.



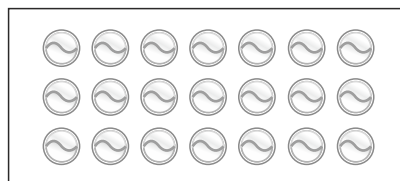
Size A	Size B	Quantity of nozzles*
340	140	12
440	195	21
540	195	27
540	240	36
565	365	60

*- quantity proposed by the producer

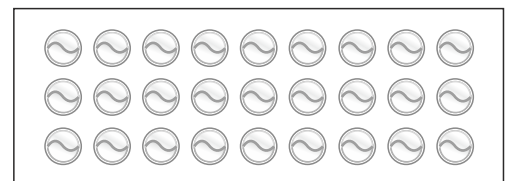
340x140/12



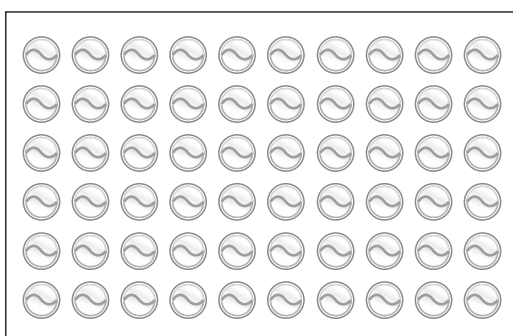
440x195/21



540x195/27



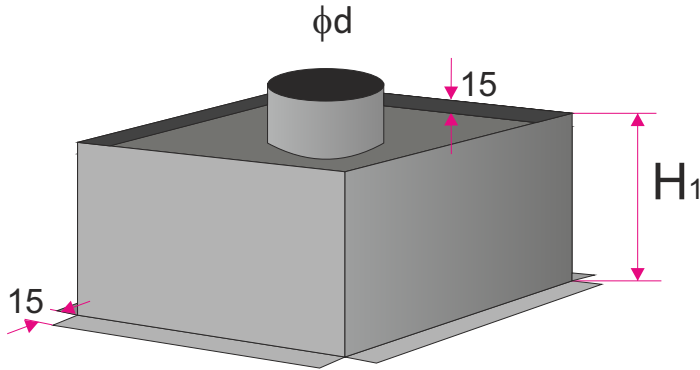
565x365/60



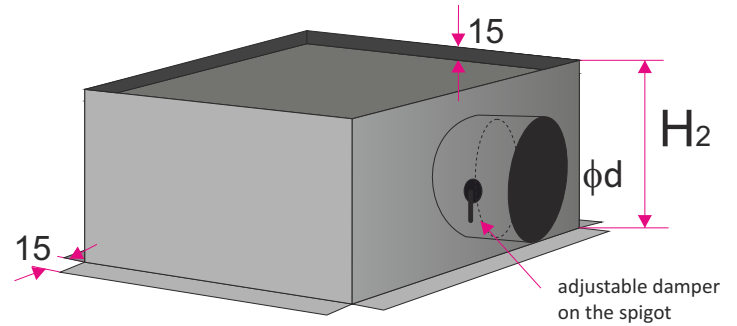
Accessories- plenum box

Plenum box is made of galvanized steel. On request it can be equipped with a damper control onto the connected spigot. The plenum box can be isolated inside with rubber (acoustic) or outside with mineral wool (thermal). In the standard height of the plenum box is adapted to size of the spigot or diffuser size (you can specify the height of the plenum box).

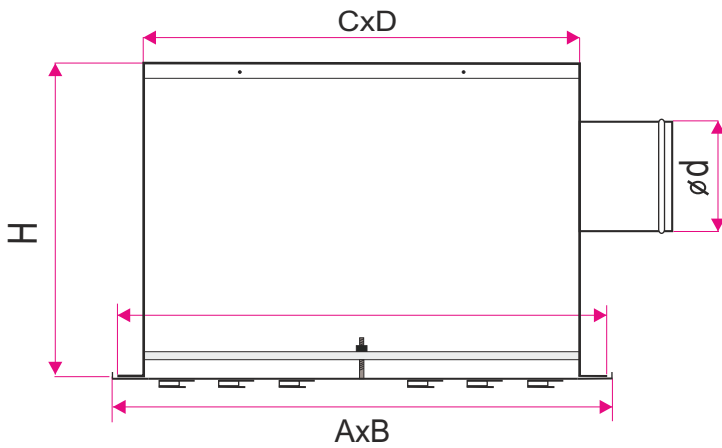
PLENUM BOXES FOR MOUNTING IN CEILING



SR-Gc - Rectangular plenum box with the spigot on the top



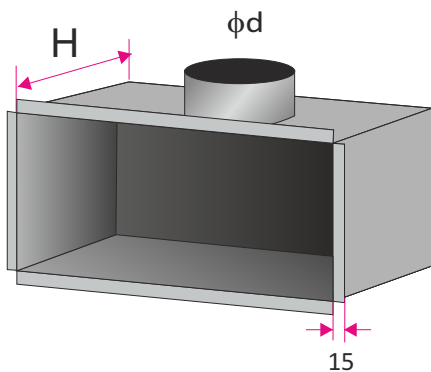
SR-Bc - Rectangular plenum box with the spigot on the side



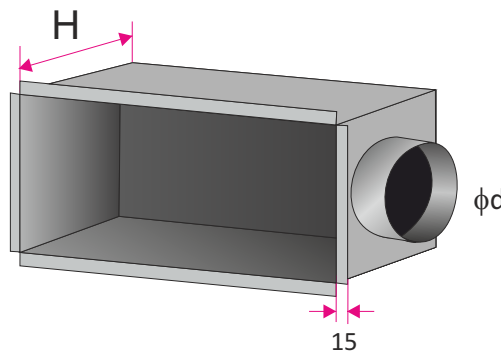
Size AxB	Size CxD	H1	H2	ϕd
340x140	305x105	310	280	158
440x195	405x160	310	280	158
540x195	505x160	310	280	198
540x240	505x205	310	280	198
565x365	530x330	310	330	248

Other sizes are produced on customer request

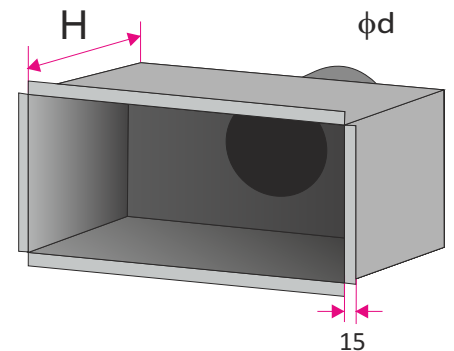
PLENUM BOXES FOR MOUNTING IN THE WALL



SR-Gw - Plenum box with the spigot on the top



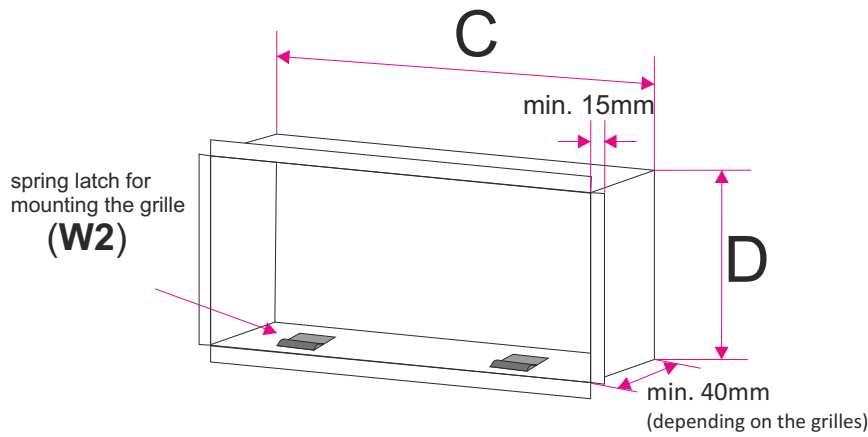
SR-Bw - Plenum box with the spigot on the side



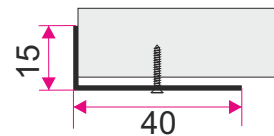
SR-Tw - Plenum box with the spigot on the back

Accessories - RM frame for invisible assembly

RM frame used in ventilation holes for mounting invisible ventilation elements. Mounting frame for grilles is normally made of galvanized steel (in the case of aluminum grilles on request it can be also made of aluminum). There is possibility of mounting frame with a filter.



Mounting the frame for mounting hole wall



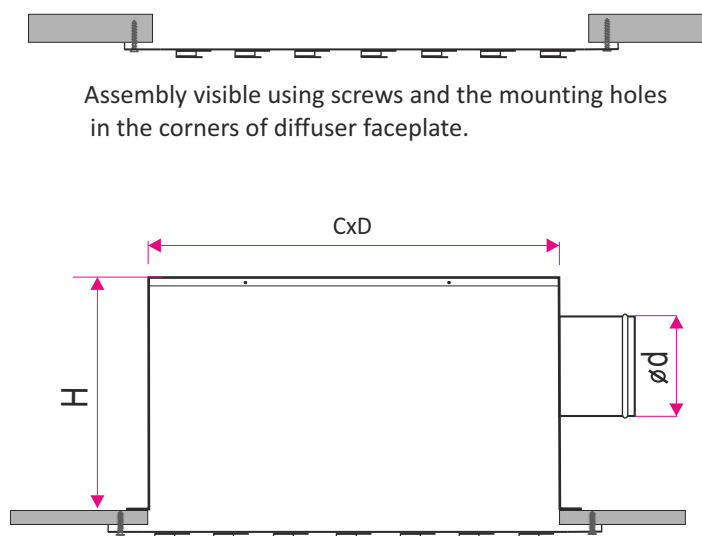
$$C = L - 5$$

$$D = H - 5$$

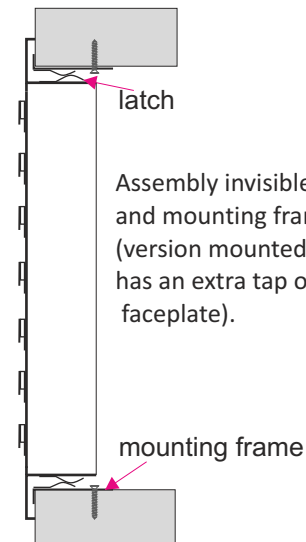
LxH - mounting hole size

Methods of mounting

W1



W2



The method of placing an order

Please make orders according to the following formula:

NWK-5p / 'N' / 'L' / 'RAL' / 'M' / 'W' + 'SR' / 'I' / 'P' / 'K' / 'H'

'N'	the size of the diffuser AxB
'L'	quantity of nozzle
'RAL'	diffuser color according to RAL palette (standard RAL9016*)
'M'	material: ST - powder coated steel* AL - aluminum powder coated KO - stainless steel / acid proof steel (type 1.4301 or 1.4404)
'W'	mounting option: W1 - visible assembly on screws through the holes in the diffuser frame * W2 - invisible assembly using latch springs and additional mounting frame (mounted in the wall)
'SR'	plenum box: SR-Gc - plenum box with the spigot on the top (in ceiling) SR-Bc - plenum box with the spigot on the side (in ceiling) SR-Gw - plenum box with the spigot on the top (in the wall) SR-Bw - plenum box with the spigot on the side (in the wall) SR-Tw - plenum box with the spigot on the back (in the wall)
'I'	isolation: none - plenum box without isolation* Iz - outside isolation (thermal) Iw - inside isolation (acoustic)
'P'	adjustment damper at spigot connection: none - no damper* P - damper on spigot connection adjustable from the outside PP - damper on spigot connection adjustable from the inside
'K'	diameter spigot connection in size mm
'H'	the height of the plenum box in mm*

* - If you don't give the information will be used standard parameters.