

Description and application

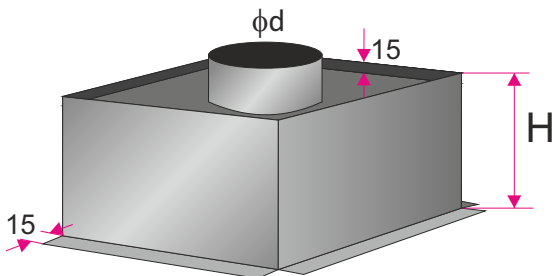
Plenum boxes are used in low and medium pressure. They are an element of expand air and connect ventilation system from diffusers or ventilation grilles. Designed for mounting both with round and square diffusers. Possibility of regulating the flow through the single leaf damper on inlet spigot and the isolation plenum box from the outside or the inside.

Plenum box has Hygienic Certificate HK/K/0522/03/2016

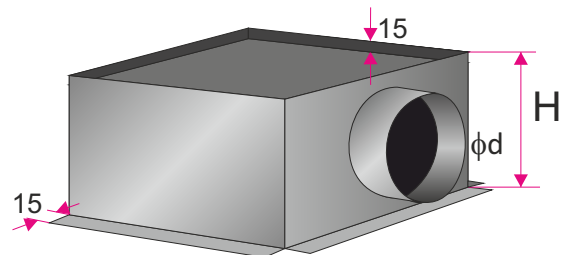
Material and workmanship

Plenum box is made of galvanized steel. On request it is possible to make special galvanized steel powder coated to any RAL color or stainless steel. Depending on the needs of mounting or destination plenum box can be constructed in different variants.

I. Square plenum box with circular spigot (for grilles and ceiling diffusers)

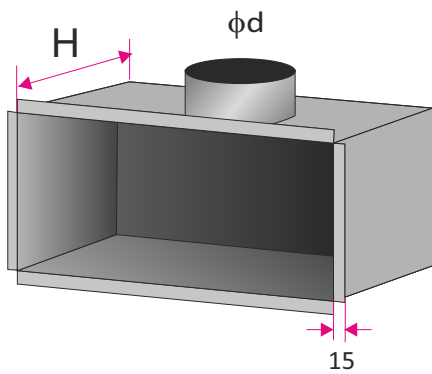


SR-Gc - plenum box with the spigot on the top

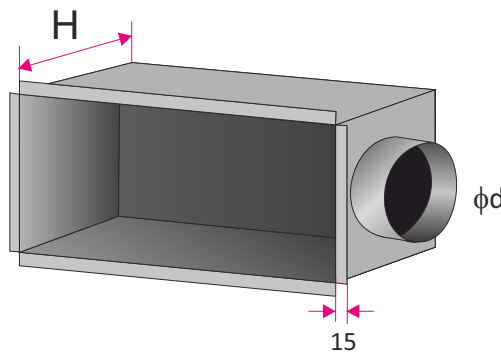


SR-Bc - plenum box with the spigot on the side (in the case of SB rectangular should be determined in which side should be spigot - on shorter or longer)

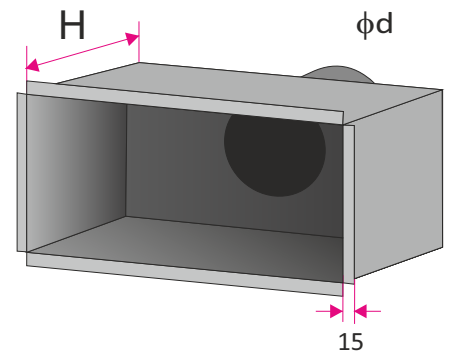
II. Square plenum box with circular spigot (for wall diffusers and grilles)



SR-Gw - plenum box with the spigot on the top

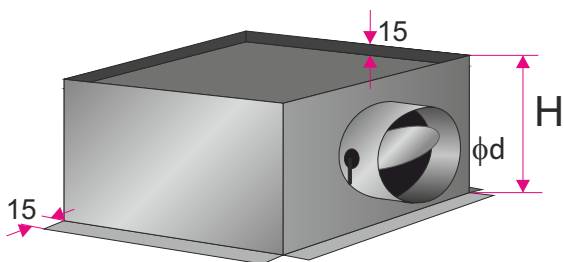


SR-Bw - plenum box with the spigot on the side

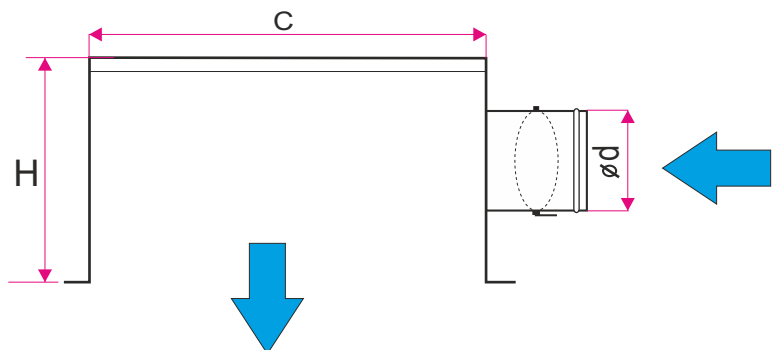


SR-Tw - plenum box with the back spigot

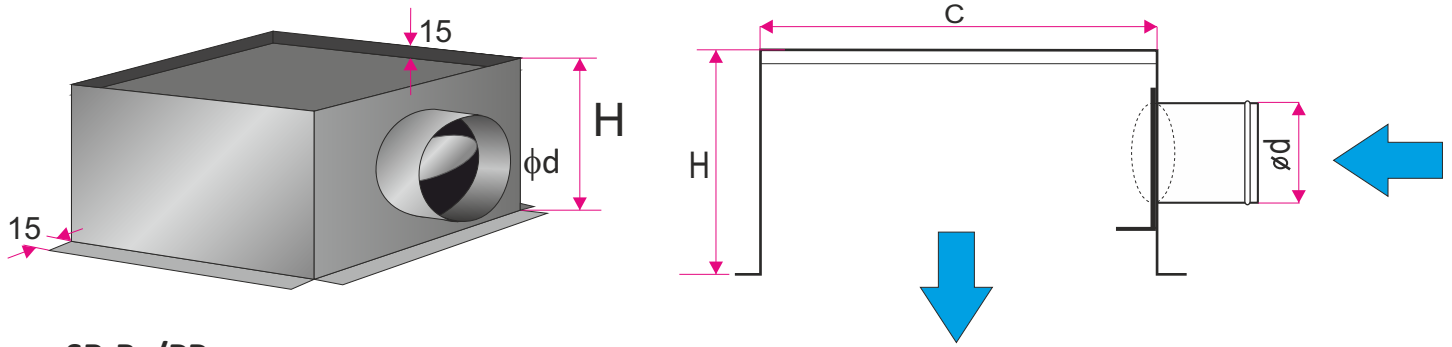
III. Square plenum box with round spigot and damper adjustable on the spigot



SR-Bc/P - plenum box with the spigot on the side and damper adjustable on the spigot

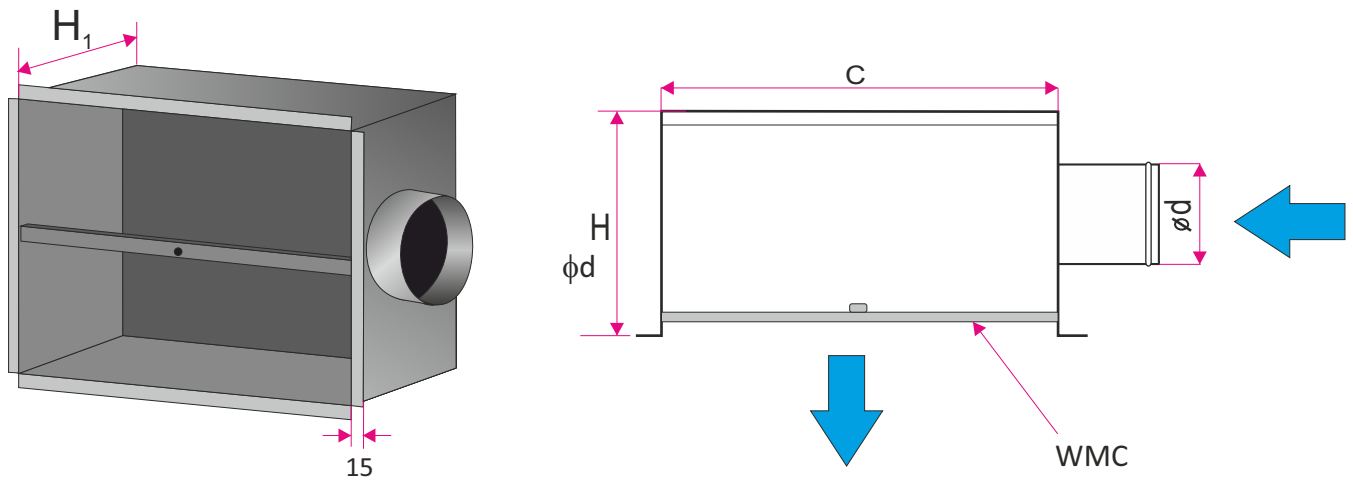


IV. Square plenum box with round spigot and damper adjustable from the inside



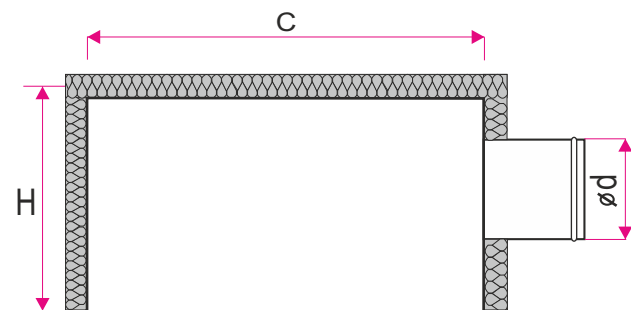
SR-Bc/PP - plenum box with the spigot on the side and damper adjustable from the inside

V. Square plenum box with round spigot and a bar for central fixing WMC

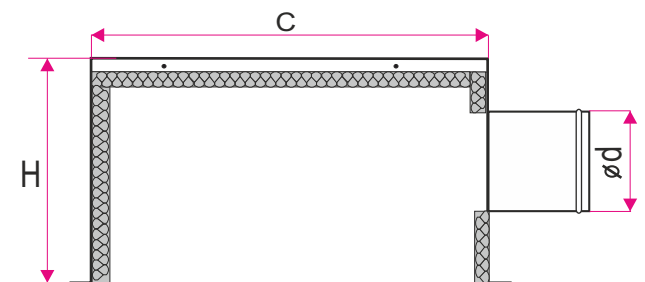


SR-Bc + WMC - plenum box with the spigot on the side and a bar for central fixing

VI. Square plenum box with insulation external / internal

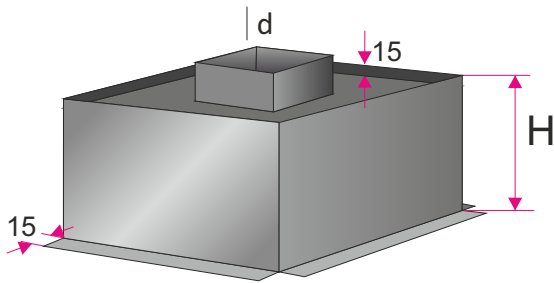


SR-B/lz - Square plenum box with round spigot with external insulation

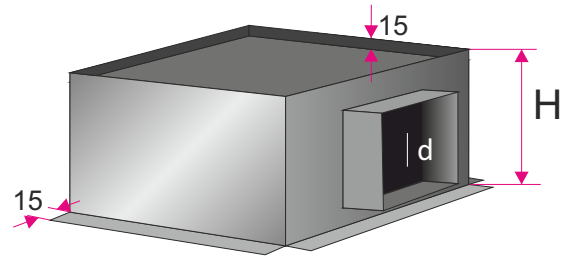


SR-B/lw - Square plenum box with round spigot with internal insulation

VII. Plenum box with a rectangular spigot



SR-Gck - plenum box with the spigot on the top



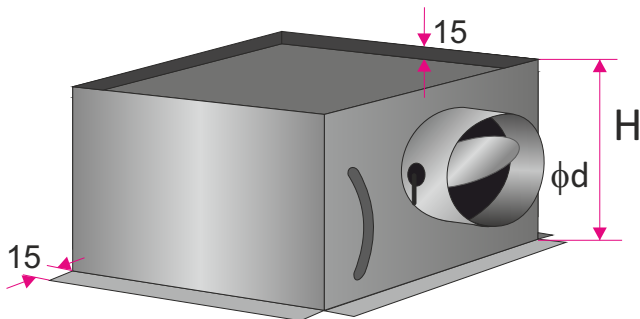
SR-Bck - plenum box with the spigot on the side

Square plenum boxes with spigot are produced in types the same as with round spigot for example:

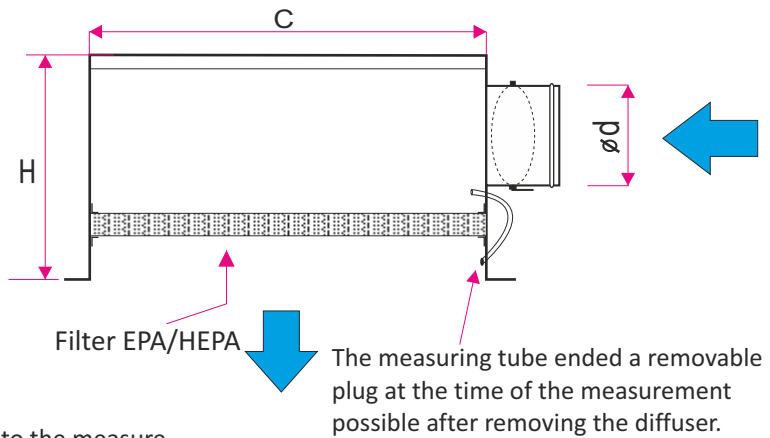
SGck/P - plenum box with a square top spigot and damper adjustable on the spigot

SBck/P/lz - square plenum box with spigot on side and adjustable damper on spigot, insulation external.

VIII. Plenum box under FILTER EPA/HEPA



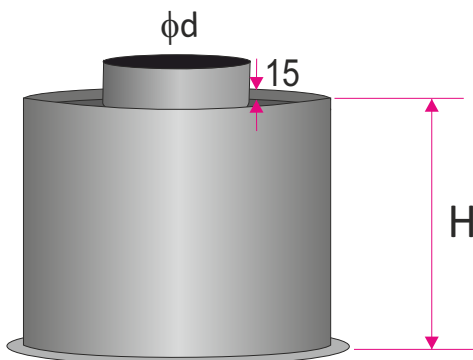
SR-Bc/P + F - plenum box with the spigot on the side adjustable damper on the spigot, EPA/HEPA filter and tube to the measure.



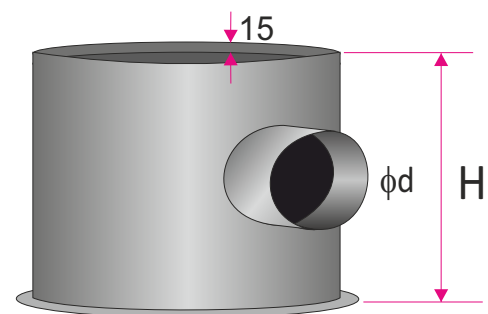
Filter EPA/HEPA

The measuring tube ended a removable plug at the time of the measurement possible after removing the diffuser.

IX. Round plenum box with spigot round / square



SR-OGc - Round plenum box with spigot on top / back



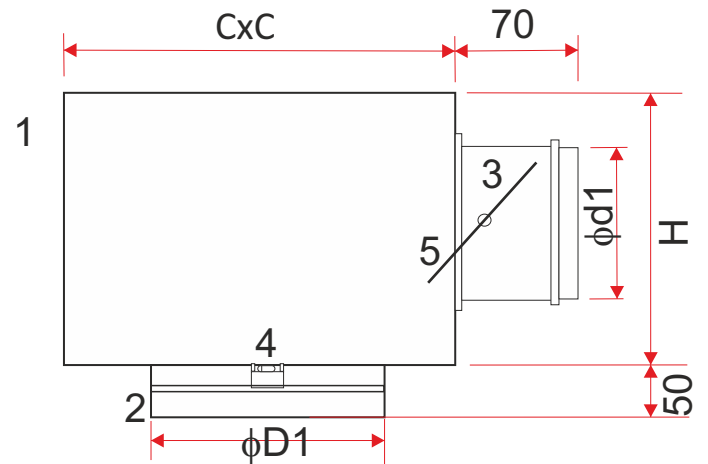
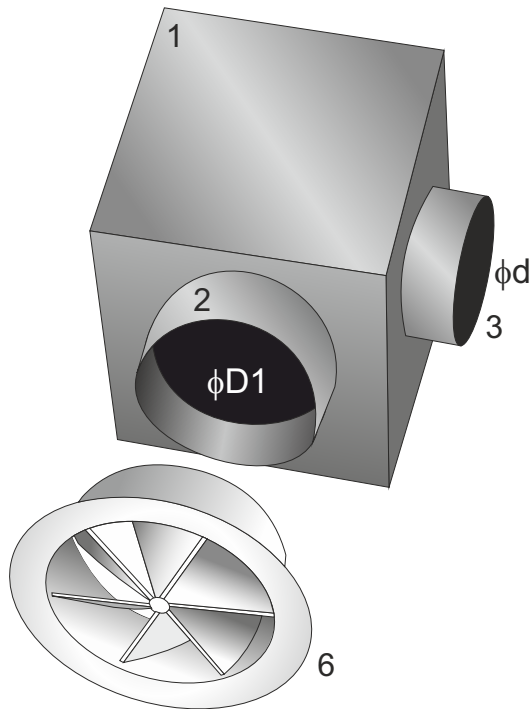
SR-OBc - Round plenum box with spigot on side

Round plenum boxes are produced in the types the same as square, for example:

SOG/P - round plenum box with top spigot and damper adjustable on the spigot

SOB/P/lz - round plenum box with spigot on side and damper adjustable on the spigot, isolation external.

X. Plenum box with two spigots



1. Plenum box
2. Spigot connection
3. Intake spigot
4. Crossbar
5. Adjustment damper
6. Diffuser NWO-9

SR-B2 - Plenum box with two spigots for mounting with round diffusers (spigot intake on side)

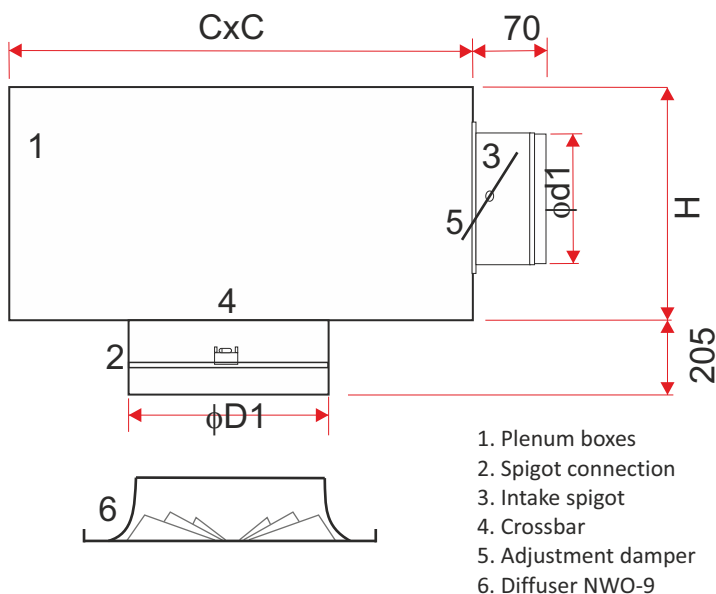
Plenum boxes **SR-2** are additional equipment diffusers: NWO-1, NWO-2, NWO-3, NWO-5, NWO-9, NWO-10, NWO-11

Size:

Plenum boxes as accessory are manufactured in sizes matched to the elements overriding. Our machine park allows to make plenum boxes also to special versions compatible with the individual plan of architects and designers.

Plenum boxes with two spigots to diffusers NWO:

NWO-9, NWO-10, NWO-11

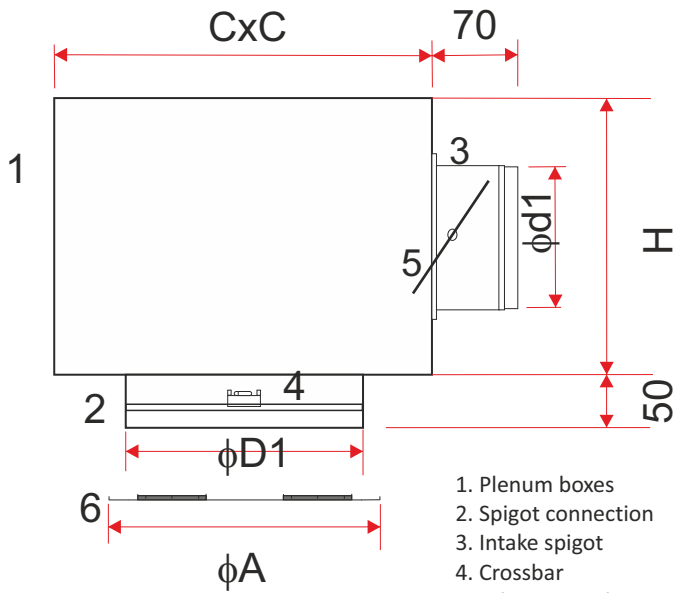


1. Plenum boxes
2. Spigot connection
3. Intake spigot
4. Crossbar
5. Adjustment damper
6. Diffuser NWO-9

Size	C	H	φd1	φD1
250	400	280	198	250
315	580	330	248	315
355	580	330	248	355
400	590	380	313	400
500	700	380	313	500
630	800	595	398	630
710	900	595	398	710
800	1000	595	398	800
1000	1250	595	398	1000

Plenum boxes with two spigots for diffuser NWO:

NWO-1, NWO-2, NWO-3, NWO-5



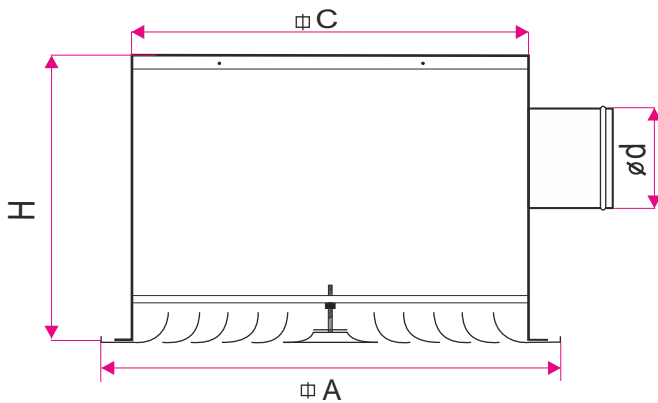
1. Plenum boxes
2. Spigot connection
3. Intake spigot
4. Crossbar
5. Adjustment damper
6. Diffuser NWO-3

Size A	C	H	φd1	φD1
300	395	280	158	295
400	495	330	248	395
500	595	380	313	495
600	695	380	313	595
625	720	595	398	620
825	920	595	398	820

Other dimensions are produced on request

Plenum boxes for anemostat diffusers:

AN, ANM, AW



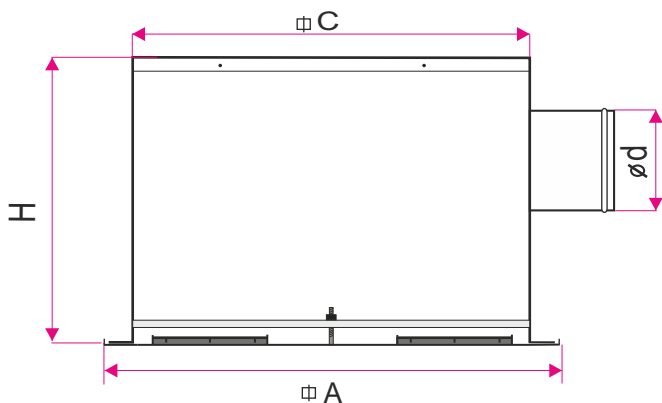
- H1** - height of the plenum box SG (top spigot)
H2 - height of the plenum box SB (side spigot)

A	C	H1	H2	φd
190x190	149x149	310	280	123
245x245	204x204	310	280	158
301x301	260x260	310	280	158
357x357	316x316	310	280	198
412x412	372x372	310	280	198
469x469	428x428	310	330	248
498x498	457x457	310	330	248
595x595	557x557	310	380	313
623x623	582x582	310	380	313

Other dimensions are produced on request

Plenum boxes for diffusers NWK:

NWK-1, NWK-2, NWK-3, NWK-5, NWK-6



- H1** - height of the plenum box SG (top spigot)
H2 - height of the plenum box SB (side spigot)

Size A	quantity of blades	C	H1	H2	φd
300x300	8	265x265	310	280	158
400x400	8	365x365	310	280	158
400x400	16	365x365	310	280	198
500x500	16	465x465	310	280	198
500x500	24	465x465	310	280	198
600x600	24	565x565	310	330	248
600x600	48	565x565	310	330	248
595x595	24	560x560	310	330	248
595x595	48	560x560	310	330	248
625x625	48	590x590	310	330	248
825x825	72	790x790	310	380	313

Other dimensions are produced on request

The method of placing an order

Please make orders according to the following formula:

Square plenum box **'SR''m' / 'I' / 'P' / 'CxE' / 'K' / 'H'**

Round plenum box: **'SR''m' / 'I' / 'P' / 'φD' / 'K' / 'H'**

'SR'	- plenum box: SR-G - rectangular plenum box with a round top spigot (SR-Gk - square spigot) SR-B - rectangular plenum box with a round side spigot (SR-Bk - square spigot) SR-OG - round plenum box with upper spigot (SR-OGk - square spigot) SR-OB - round plenum box with side spigot (SR-OBk - square spigot)
'm'	- mounting place: c - plenum box mounted in the ceiling (for example. SR-Gc, SR-Bc) w - plenum box mounted in the wall (for example. SR-Gw, SR-Bw, SR-Tw)
'I'	-isolation: none - box without isolation* lz - isolation on the outside lw - isolation from the inside
'P'	-adjustment damper : none - no damper* P - adjustable damper on the spigot PP - damper adjustable from inside the plenum box
'CxE'	- dimension of the bottom rectangular plenum box in mm
'φD'	- dimension of the bottom round plenum box in mm
'K'	- the size of the connecting spigot in mm (φd or cxe)
'H'	- plenum box height in mm*

rectangular plenum box with two spigots: **'SR' / 'I' / 'P' / 'φD1' / 'φd1' / 'H'**

'SR'	- plenum box: SR-G2 - rectangular plenum box with connecting round top spigot (SG-2k - square spigot) SR-B2 - rectangular plenum box with connecting round side spigot (SB-2k - square spigot)
'I'	- isolation: none - box without isolation* lz - isolation on the outside lw - isolation from the inside
'P'	-adjustment damper : none - no damper* P - adjustable damper on the spigot PP - damper adjustable from inside the plenum box
'CxE'	- dimension of the bottom rectangular plenum box in mm
'φD1'	- size from spigot to the diffuser in mm
'φd1'	- dimension of the connecting spigot to installation in mm
'H'	- plenum box height in mm*

* - If you don't give the information will be used standard parameters.