

Description and application

Louvre with movable blades used in ventilation installation intake and exhaust as the end of air intake pipes and ventilation holes in the walls of buildings or directly on the duct. Opening and closing louvre is possible through the manual regulation- type ZSRR or by using actuator -type ZSRS. On special request it is also possible protective mesh that protects before the bird, rodent and larger impurities (like the leaves) inside the installation.

Louvres has Hygienic Certificate HK/K/0522/02/2016

Material and workmanship

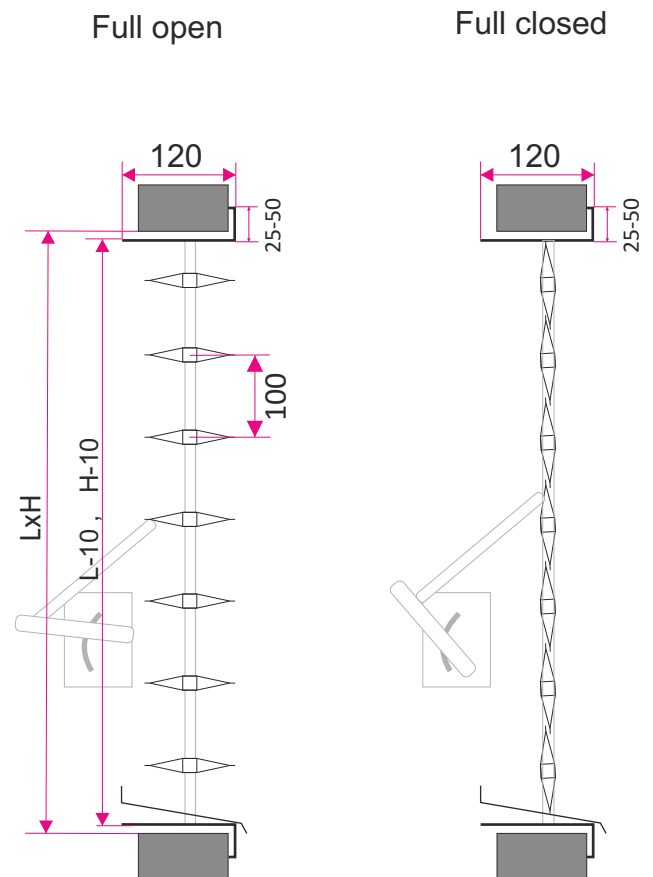
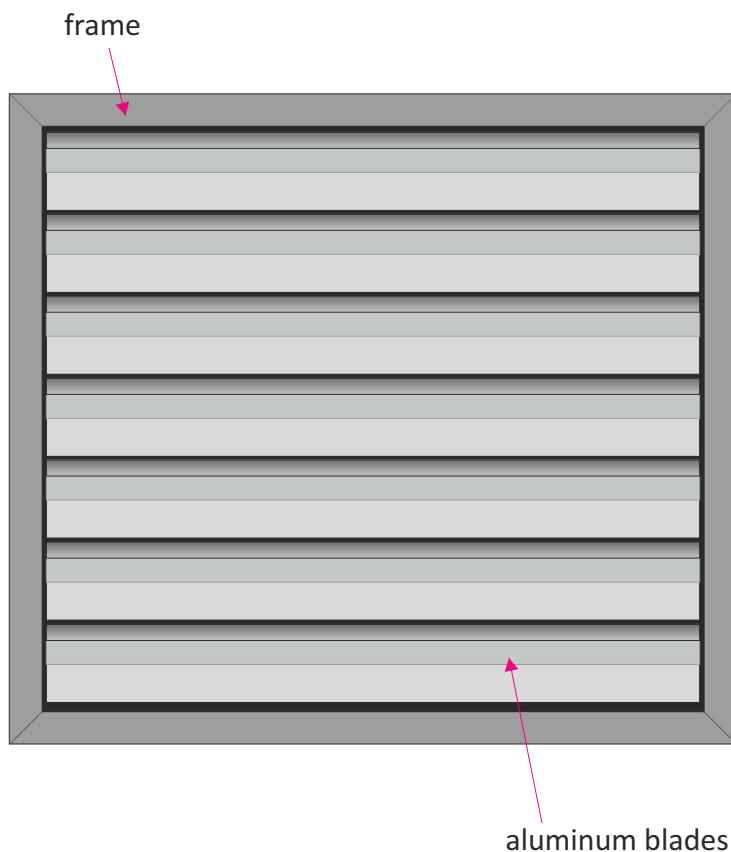
Blades are made of aluminum. Frame in standard is made of galvanized steel. The whole louvre is powder coated in standard gray color RAL9006 or in any RAL color. Upon customer request it is possible to make the frame from aluminum or stainless steel. With electrical adjustment the number of actuators depends on the size of the shutter. Manual jalousie mechanism allows you to set any angle opening. In the case of a standard electrical regulation shutter mechanism is adapted to a linear actuator firm Belimo. You can use your own type of actuator - in this case, please send a technical card the model. Number of actuators depends on the size of jalousie. Louvre has plastic elements that are designed for use from -30 ° C to + 80 ° C.

Size

Louvres are manufactured to order. Louvre dimension by the customer request.

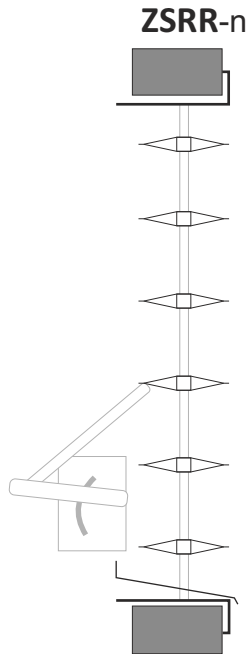
The width of the frame depends on the size of louvre:

- * 25mm for L or H to 1000mm
- * 50mm for L or H above 1000mm

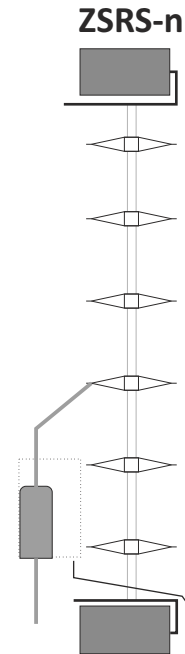


Options adjusting louvre

Louvre ZSR-n can be adjusted manually or by using an electric actuator:

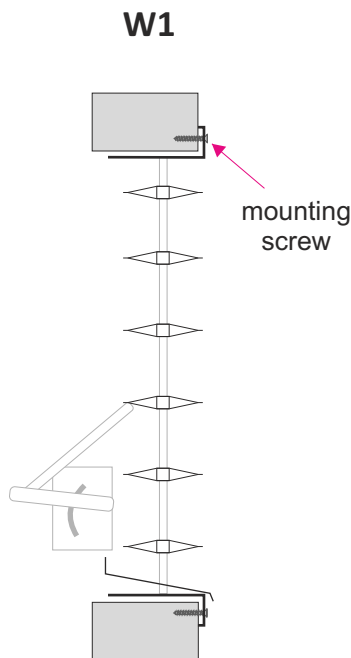


The shutter is adjusted manually using a common guide located behind the blades

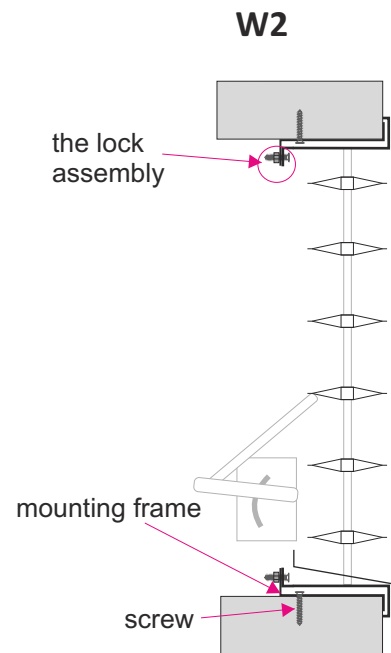


Louvre is controlled by Belimo linear actuator (way to open blades depends from the type of actuator)

Methods of mounting



Assembling visible through screws and mounting holes in the louvre frame



Assembling invisible by screws and lock assembly in mounting frame RM - the preferred option in the case of split air intake louvre with the substructure.

The method of placing an order

Please make orders according to the following formula:

ZSR / 'R'-n / 'LxH' / 'RAL' / 'M' / 'W'

'R'	- method of adjusting louvre: R - manual S - adjustment using the linear actuator Belimo (standard actuator is not equipped with louvre)
'LxH'	- mounting hole size (width x height) in mm
'RAL'	- louvre color according to RAL palette (standard RAL9006*)
'M'	- material: OC - frame-galvanized steel, and aluminum blades* AL - all aluminum KO - stainless steel (gat. 1.4301 or 1.4404), lamele-aluminium
'W'	- mounting option: W1 - visible assembly with screws through the holes in louvre front frame* W2 - invisible assembly using screws, and an additional mounting frame

* - If you don't give the information will be used standard parameters.