

## FB 4-SIDE OUTLET GRILLE



### 1. GENERAL INFORMATION

Additional 4-side outlet grille installed on Leo FB unit divide air stream in four sides, it is especially dedicated to rooms with low ceiling.

### 2. TECHNICAL DATA

Material: powder coated sheet steel

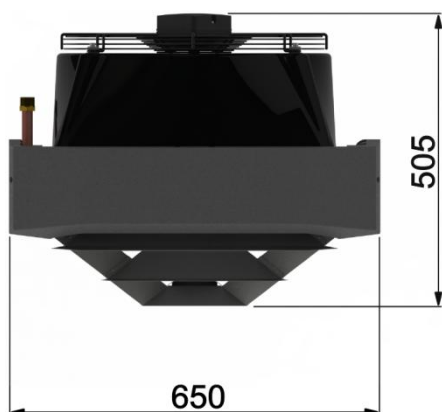
Colour: dark gray (RAL 9007)

Weight: 2,8kg

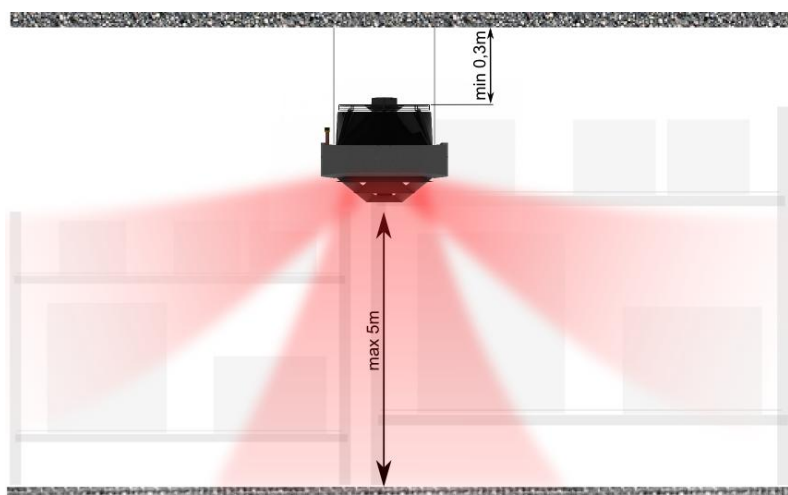
Available to: LEO FB NEW 25 / 45 / 65

4-side outlet grille causes a drop approx 10% of heat output and air volume regarding to nominal parameters given in data sheet.

### 3. DIMENSIONS



### 4. MOUNTING RECOMMENDATIONS



## 5. INSTALLATION

