

## Description and application

Air intake set are used in ventilation of buildings. They can be installed under a window, between the window sill and the radiator providing fast heating of supplied air. You can adjust the amount of incoming air (from inside). From the outside, the rain cover is a wall intake louvre equipped with a specially shaped louvre and protection mesh. A connecting duct may be provided with insulation or an air filter placed in the cartridge that allows easy replacement filter element. Thanks to telescopic construction of duct it is possible to fit to the wall thickness. Type internal grille is selected depending on the purpose of the room.

Air intake set has Hygienic Certificate HK/K/0522/02/2016

## Material and workmanship

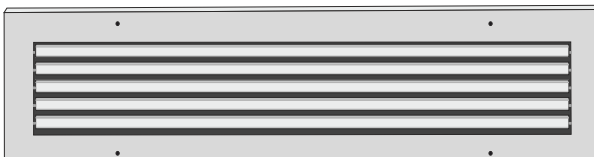
Air intake set are made of galvanized steel powder coated colour white RAL9016. Upon customer request we can paint in any color from RAL palette and made special of stainless steel and aluminum.

## Size

External louvre  
(np. CzS-M with mesh)

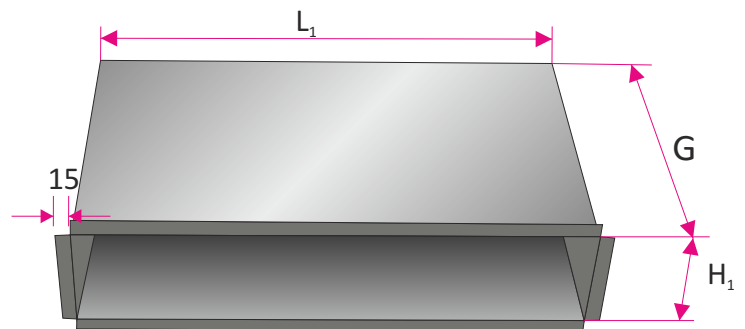


Internal grille  
(np. ST-W with adjustable blades)



The set is adapted to given in the order dimensions LxH.  
All dimensions for customer request.

Duct connecting the air external louvre  
with grille interior

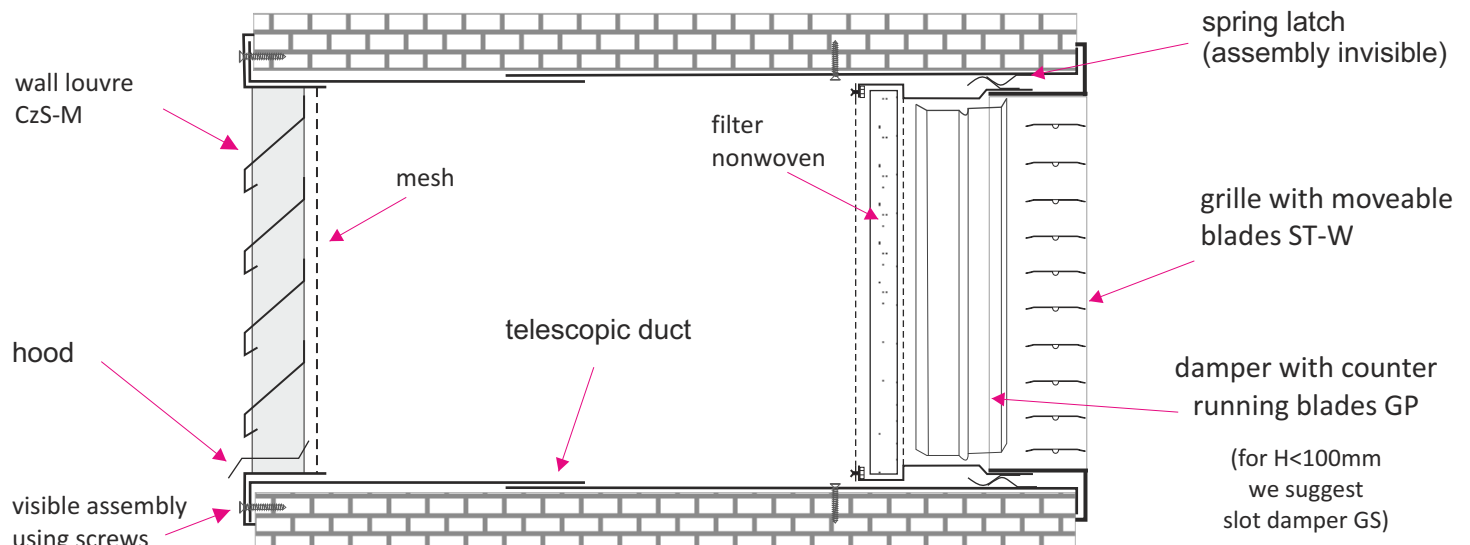


Size of mounting hole	L <sub>1</sub>	H <sub>1</sub>	G	air flow [m <sup>3</sup> /h]
<b>225x75</b>	220	70	200-550	<b>20-60</b>
<b>425x75</b>	420	70	200-550	<b>30-100</b>
<b>225x125</b>	220	120	200-550	<b>30-100</b>
<b>425x125</b>	420	120	200-550	<b>40-140</b>

Air intake set:

External intake louvre CzS-M + telescopic duct + filter + damper GP + grille ST-W

external element E1



## Variants

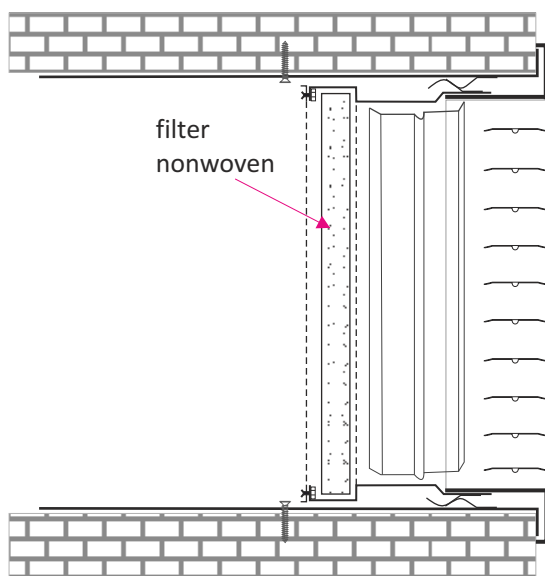
Because of the different dimensions, air intake set may be composed of various elements of the ventilation system.

External element	Ventilation duct*	Filter**	Damper	Internal grille
<ul style="list-style-type: none"> <li>- External intake louvre with mesh CzS-M</li> <li>- Air flow grille with mesh KSL</li> </ul>	<ul style="list-style-type: none"> <li>- ventilation duct telescopic</li> <li>- ventilation duct of fixed length</li> </ul>	<ul style="list-style-type: none"> <li>- nonwoven filter class G (of preliminary cleaning)</li> <li>- nonwoven filter class F (deep cleaning)</li> <li>- filters HEPA</li> </ul>	<ul style="list-style-type: none"> <li>- damper with counter running blades GP (for H=&gt;100)</li> <li>- slot damper GS (for H&lt;100)</li> </ul>	<ul style="list-style-type: none"> <li>- grille ST-W, ST-S</li> <li>- grille KSL</li> <li>- grille KPZ</li> <li>- grille KSI</li> <li>- grille KSO</li> <li>- grille ALWP-1</li> </ul>

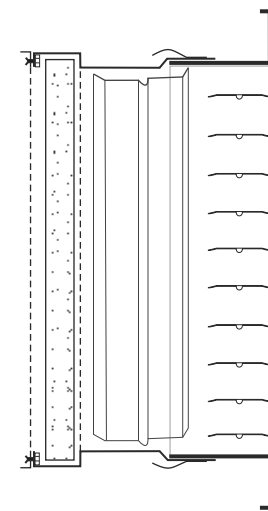
\* Ventilation duct may be with thermal insulation.

\*\* Price of filter depends on its quality and purchase quantity (upon request).

## Method of changing the filter



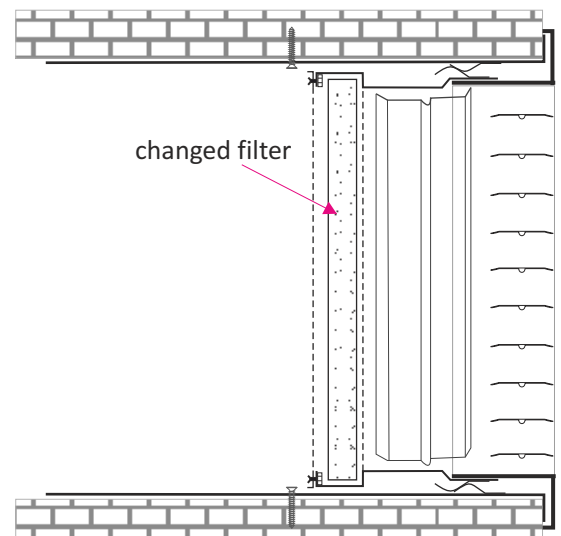
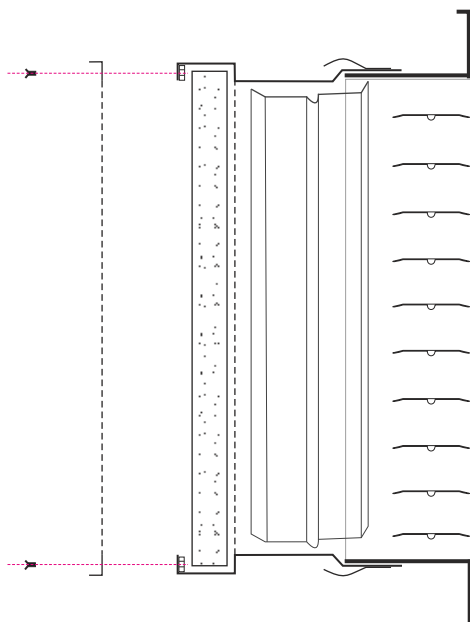
**1.** Remove the whole set by pulling him to the inside room to release clamping springs.



**2.** On the back of the set, remove the mesh back the filter cartridge.

**3.** Change the filter cartridge

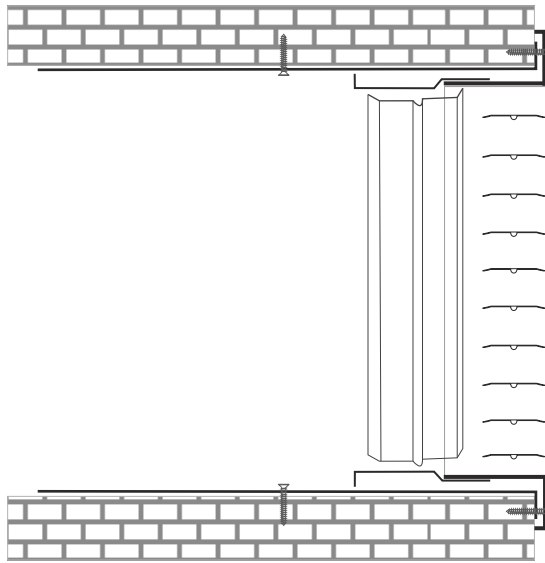
**4.** Screwing the back with mesh in order to protect the filter from falling and assembling the whole set again in a ventilation duct, by pressing it to match the spring clamp.



## Mounting options internal element

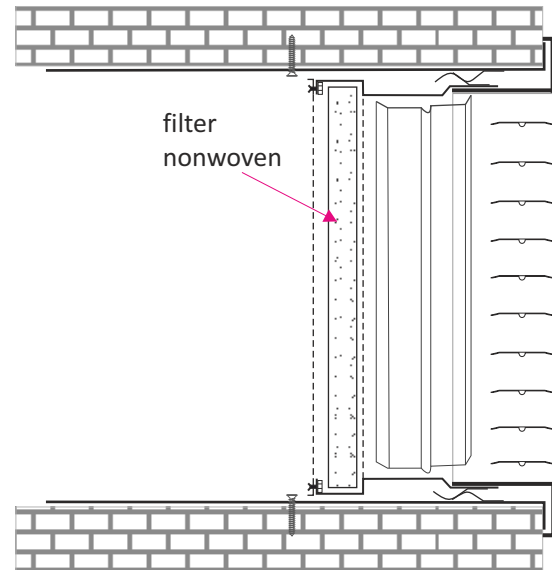
The internal element air intake set, comprising a nonwoven filter, because of it replaced is mounted on a spring clamp. In the case air intake set in the basic version without a filter, It can be mounted with screws - both external and internal element of set.

**W1**



Assembling visible on screws and embossing in the grille frame

**W2**



Assembling invisible on the clamp springs in the grille and ventilation duct

## The method of placing an order

Please make orders according to the following formula:

**NP / 'LxH' / 'G' / 'E1' / 'RAL-E1' / 'W-E1' / 'kana' / 'filtr' / 'E2' / 'RAL-E2' / 'M' / 'W-E2'**

- 'LxH'** - size of ventilation duct (width x height)
- 'G'** - wall thickness
- 'E1'** - external element air intake set
- 'RAL-E1'** - color of external element E1 from palette RAL
- 'W-E1'** - variant of assembling the external element (W1 / W2)
- 'kana'** - the type of ventilation duct (fitting / telescopic)
- 'filtr'** - type filter cartridge
- 'E2'** - internal element air intake set
- 'RAL-E2'** - color of internal element E2 from palette RAL
- 'M'** - material:
  - OC - galvanized steel \*
  - AL - aluminum
  - KO - stainless steel
- 'W-E2'** - variant of assembling the internal element (W1 / W2)

\* - If you don't give the information will be used standard parameters.